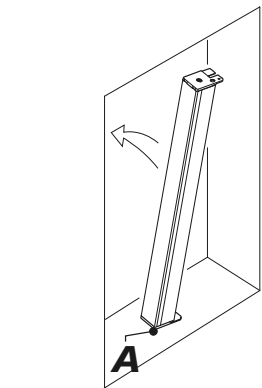
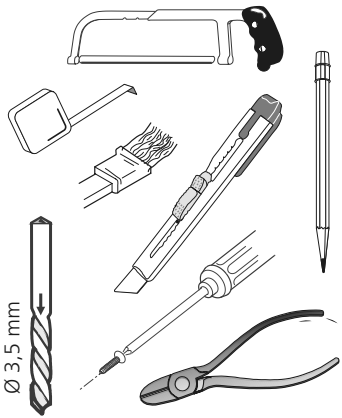
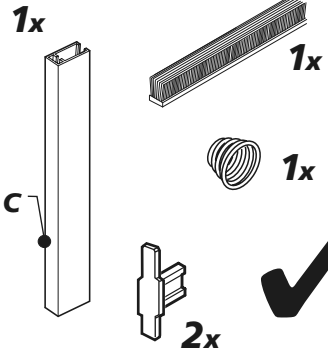


BASIS

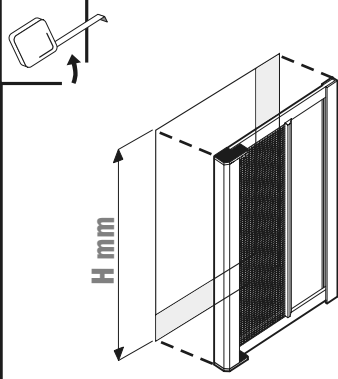
BASIS

1x

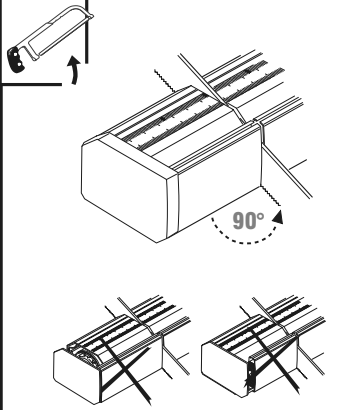
2x 2x 2x 2x
a b c d



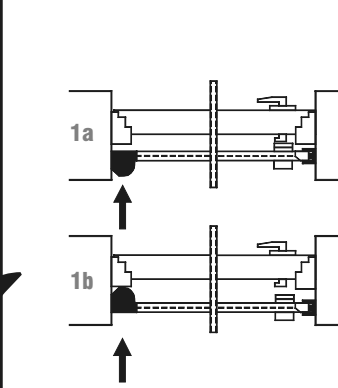
13



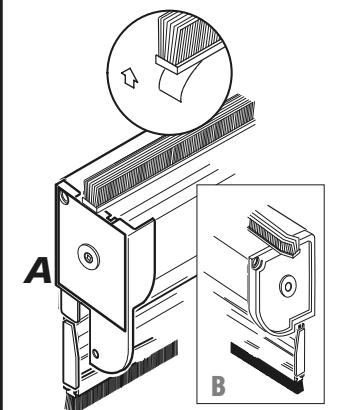
1



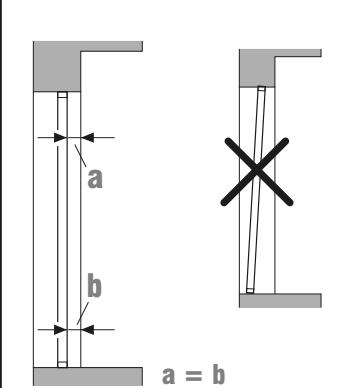
4



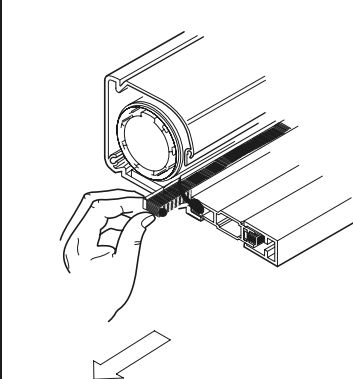
7



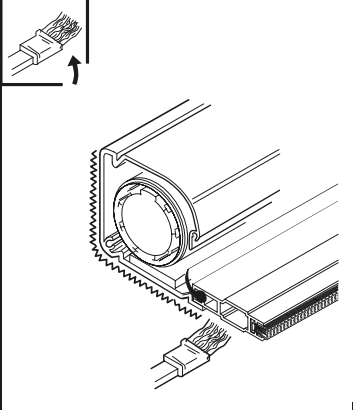
10



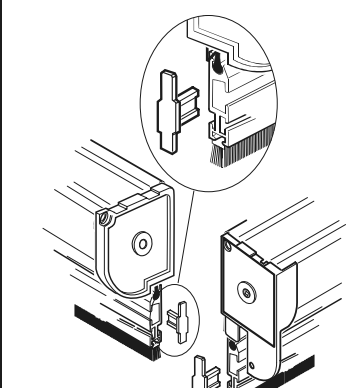
14



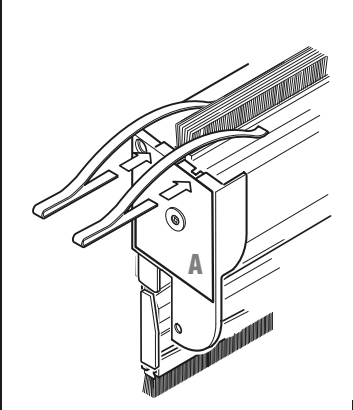
2



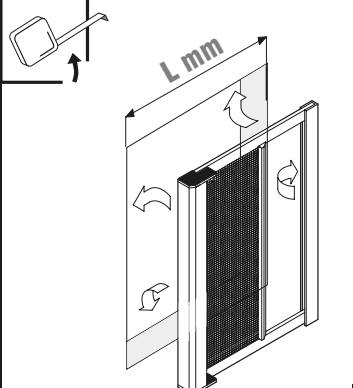
5



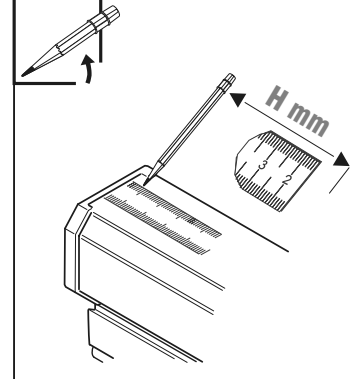
8



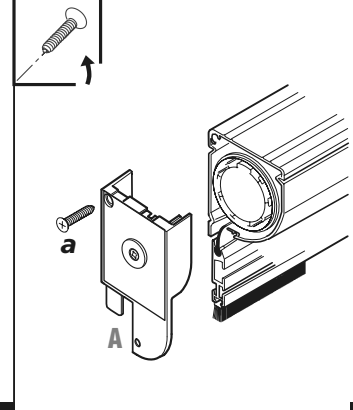
11



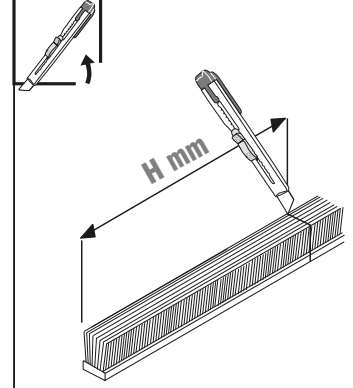
15



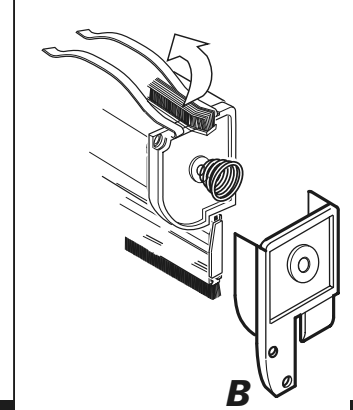
3



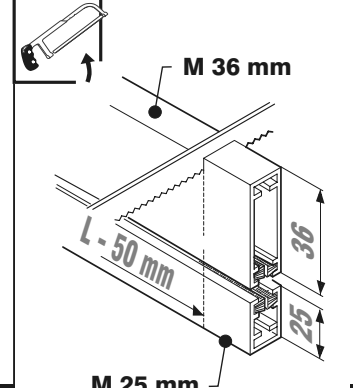
6



9



12



16

